

Ricochet Road Barriers - TL1 MASH Certified

“The greatest Energy Absorbing Temporary Road Barrier System”



These Ricochet water filled road barriers are the ultimate example of superior design and engineering. Producing one of the safest and strongest barriers in the world!



Ricochet barriers are the first ever barrier system to achieve the MASH Standards in Australia and New Zealand.

All Crash Tested Water Barriers must pass the new stringent MASH testing to meet Australian Standards from 2020.

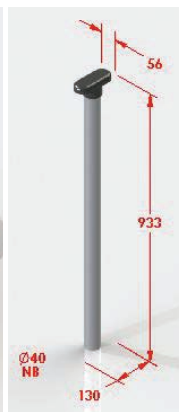
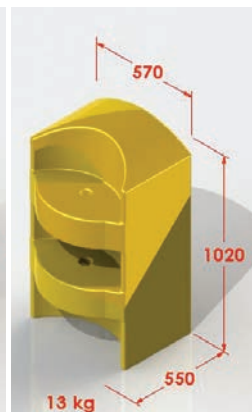
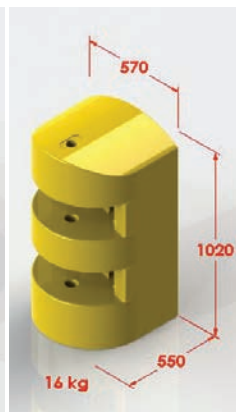
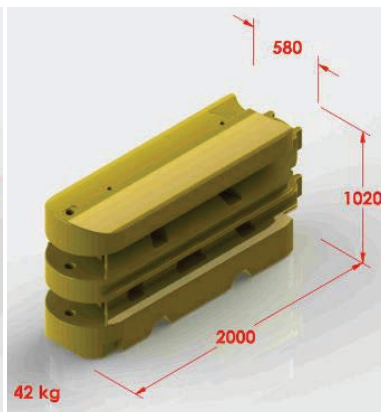
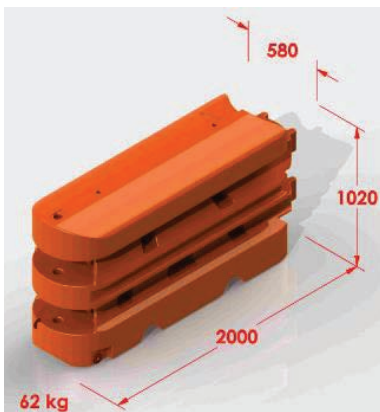
Longitudinal Barrier

Terminal End

Terminal End Cap Male

Terminal End Cap Female

Barrier Pin



YOU MAY ALSO BE INTERESTED IN

